

Preparation

Part Number: PT738-12170

Kit Contents

Item #	Quantity Reqd.	Description
1	1	Bumper Protector
2		
3		

Hardware Bag Contents

Item #	Quantity Reqd.	Description
1		
2		
3		

Additional Items Required For Installation

Item #	Quantity Reqd.	Description
1		
2		
3		

Conflicts

None

Recommended Tools

Personal & Vehicle Protection	Notes
Safety Glasses	
Vehicle Protection	Seat & Floor Covers
Special Tools	Notes
Surface Thermometer	Infrared Non-Contact
Heat Gun	Master Heat Gun HG-301A or equivalent
Installation Tools	Notes
Hard Rubber Hand Roller	1" to 3" wide i.e. Marshalltown E54D or Dynamat 10007
Special Chemicals	Notes
Cleaner	VDC approved cleaner and cleaning method

General Applicability

All iM models (including 2016)

Recommended Sequence of Application

Item #	Accessory
1	
2	
3	

*Mandatory

Vehicle Service Parts (may be required for reassembly)

Item #	Quantity Reqd.	Description
1		
2		
3		

Legend



STOP: Damage to the vehicle may occur. Do not proceed until process has been complied with.



OPERATOR SAFETY: Use caution to avoid risk of injury.



CAUTION: A process that must be carefully observed in order to reduce the risk of damage to the accessory/vehicle and to ensure a quality installation.



TOOLS & EQUIPMENT: Used in Figures calls out the specific tools and equipment recommended for this process.



REVISION MARK: This mark highlights a change in installation with respect to previous issue.



SAFETY TORQUE: This mark indicates that torque is related to safety.

Procedure

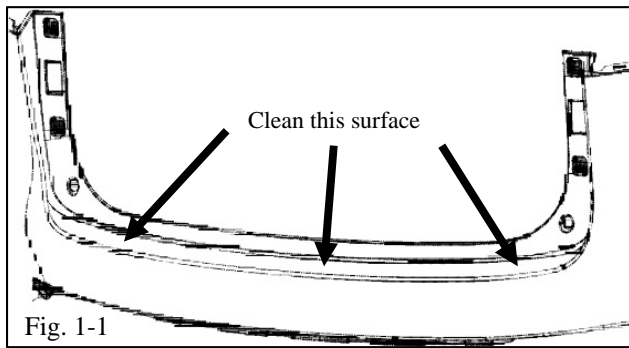
Care must be taken when installing this accessory to ensure damage does not occur to the vehicle. The installation of this accessory should follow approved guidelines to ensure a quality installation.

These guidelines can be found in the "Accessory Installation Practices" document.

This document covers such items as:-

- Vehicle Protection (use of covers and blankets, cleaning chemicals, etc.).
- Safety (eye protection, rechecking torque procedure, etc.).
- Vehicle Disassembly/Reassembly (panel removal, part storage, etc.).
- Electrical Component Disassembly/Reassembly (battery disconnection, connector removal, etc.).

Please see your Toyota dealer for a copy of this document.



1. Prepare the Vehicle.

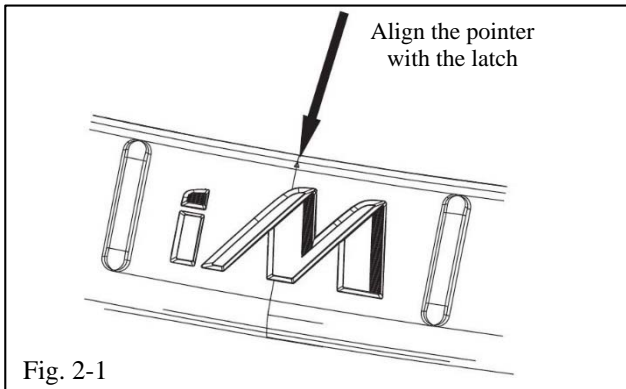
- (a) Open the rear lift gate.
- (b) Clean the top surface of the rear bumper with a non-scratch cloth and a VDC approved cleaner and cleaning method (Fig. 1-1).
- (c) Wipe the cleaned bumper surface with a clean, dry lint-free cloth.

⚠ NOTE: Once cleaned, do not contaminate this surface by touching it with bare hands.

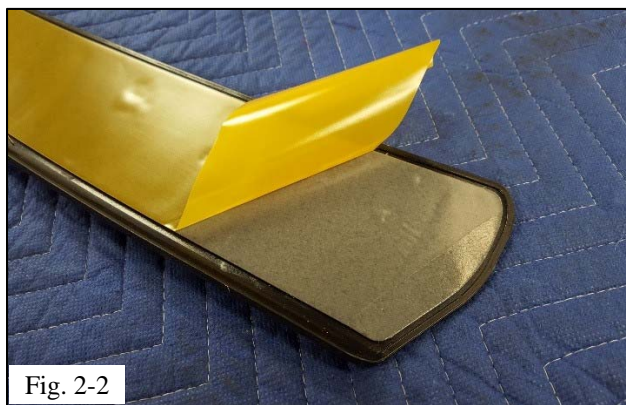
2. Install the Bumper Protector.

- (a) The parts and vehicle temperature must be between 15°C and 35°C (65°F and 90°F).
- (b) While carefully holding the bumper protector by its edges, partially pull the plastic liner at the end of the part 50mm to 75mm (2" to 3") to remove it from the foam tape and create a tab that extends from the side of the part.

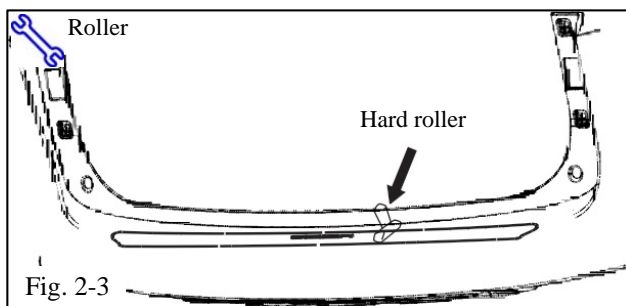
⚠ NOTE: Once the release liner is removed from the bumper protector, the surface of the tape must not be touched.



(c) Hold the bumper protector about 1/2" above the surface of the bumper and align the center indicator (pointer) on the bumper protector to the center of the latch on the rear lift gate (Fig. 2-1).



(d) While keeping the bumper protector aligned, lower the part in place. Pull small sections of the backing (Fig. 2-2) while pressing the part onto the vehicle until you have removed all of the backing and the part is secure.



(e) Use the hard roller to roll around the perimeter of the part with at least 30 lbs of pressure to ensure complete adhesion of the acrylic foam tape to the bumper surface (Fig. 2-3).

Checklist - these points **MUST** be checked to ensure a quality installation.

<u>Check:</u>	<u>Look For:</u>
<p><u>Accessory Function Checks</u></p> <p><input type="checkbox"/> Visual alignment</p> <p><input type="checkbox"/> Proper tape adhesion</p> <p><input type="checkbox"/></p> <p><input type="checkbox"/></p>	<p>The bumper protector should be visually centered left to right</p> <p>The rear edge of the bumper protector should appear visually parallel to the rear edge of the vehicle bumper</p> <p>The bumper protector should not extend back out over the rear of the bumper where the bumper surface starts to transition to vertical surfaces</p> <p>A gap of approximately 1/2 mm is designed to exist between the edges of the bumper protector and the bumper</p> <p>No gap is allowed between the tape and the bumper</p>
<p><u>Vehicle Function Checks</u></p> <p><input type="checkbox"/></p> <p><input type="checkbox"/></p> <p><input type="checkbox"/></p>	
<p><u>Vehicle Appearance Check</u></p> <p><input type="checkbox"/> After accessory installation and removal of protective cover(s), perform a visual inspection.</p>	<p>Ensure no damage (including scuffs and scratches) was caused during the installation process. (For PPO installations, refer to TMS Accessory Quality Shipping Standard.)</p>